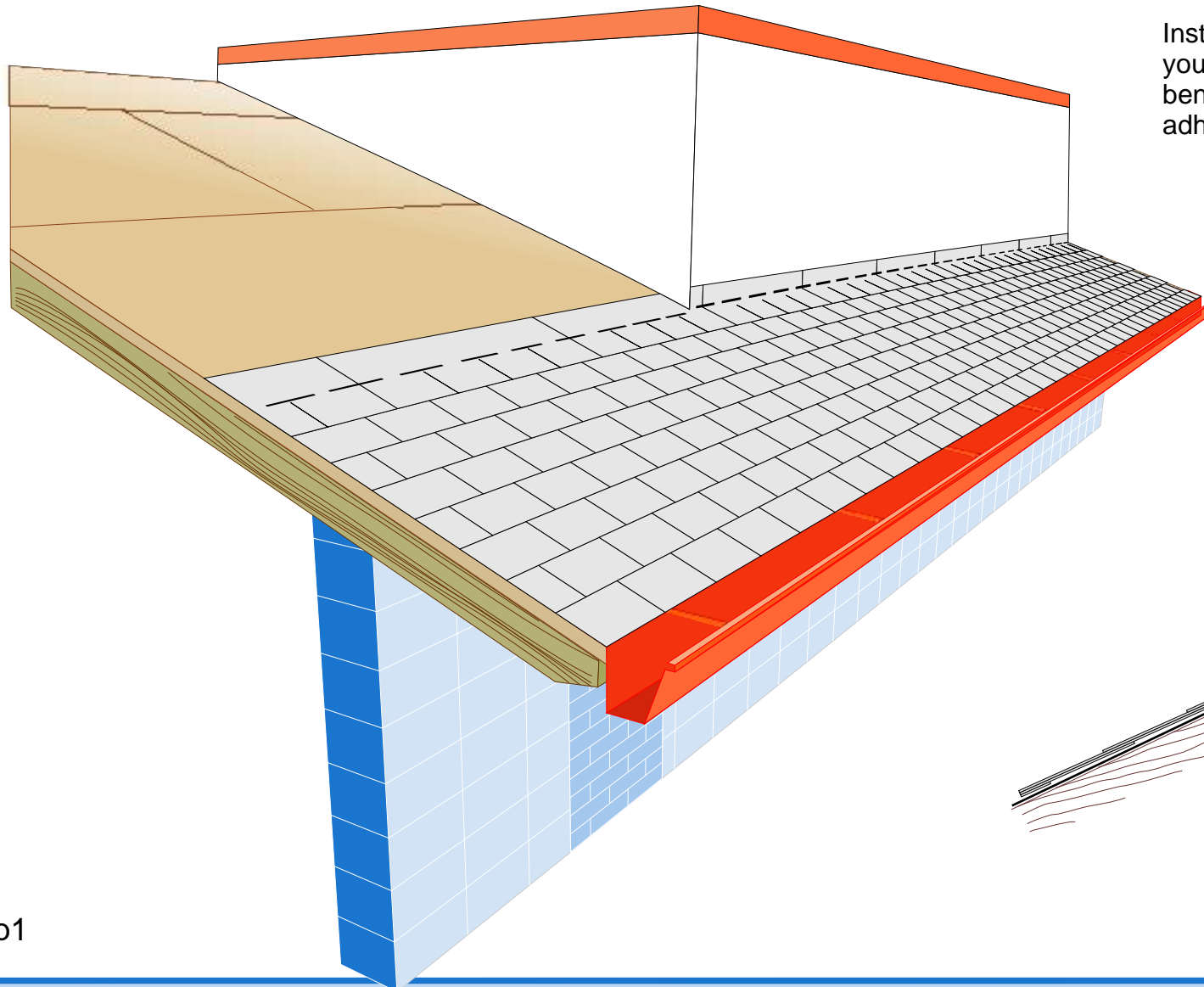
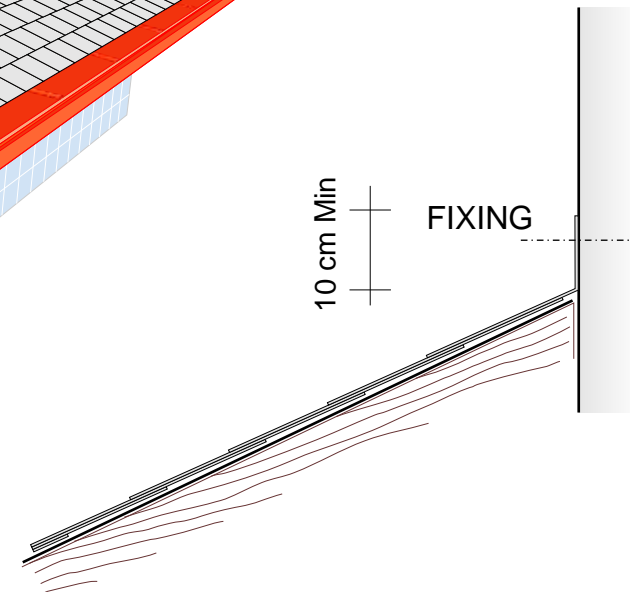


# INSTALLATION INSTRUCTION

When the pitch against a sidewall  
Flashing against a sidewall



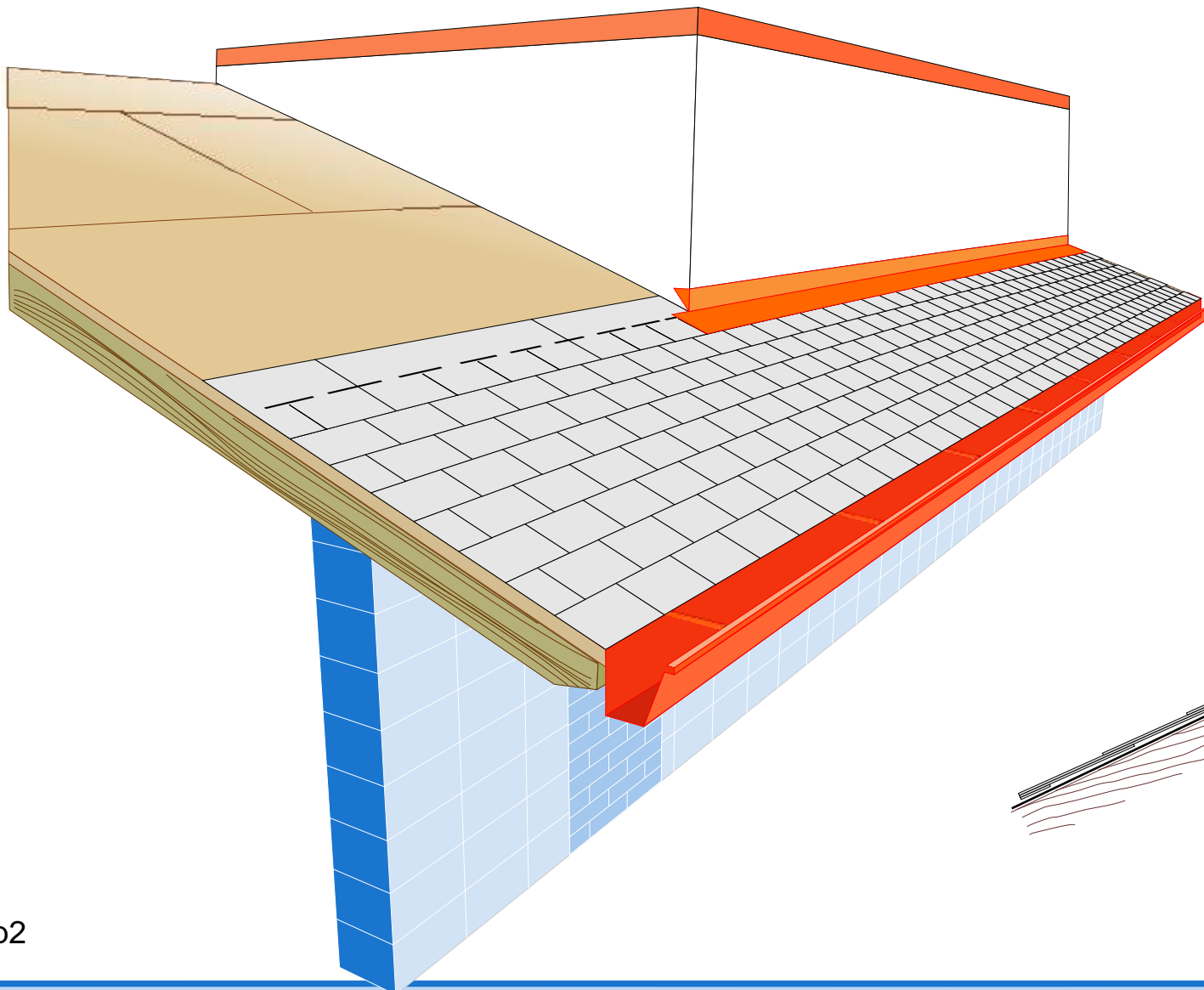
Installed the shingles and when you arrived against a sidewall, bent and fix them with high adherence nails also on the wall.



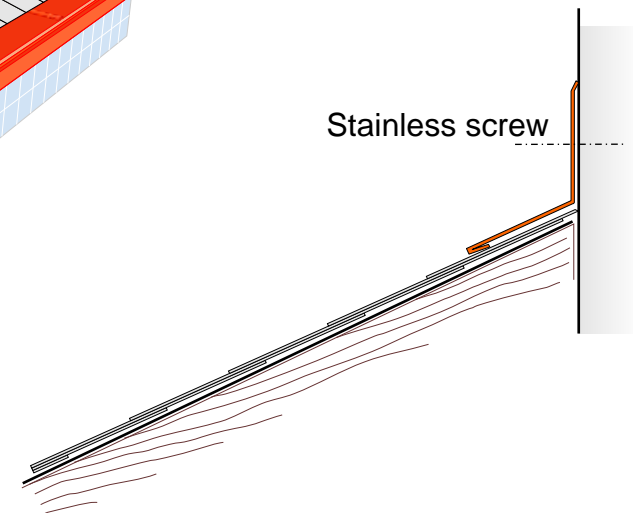
# INSTALLATION INSTRUCTION

When the pitch against a sidewall

Flashing against a sidewall



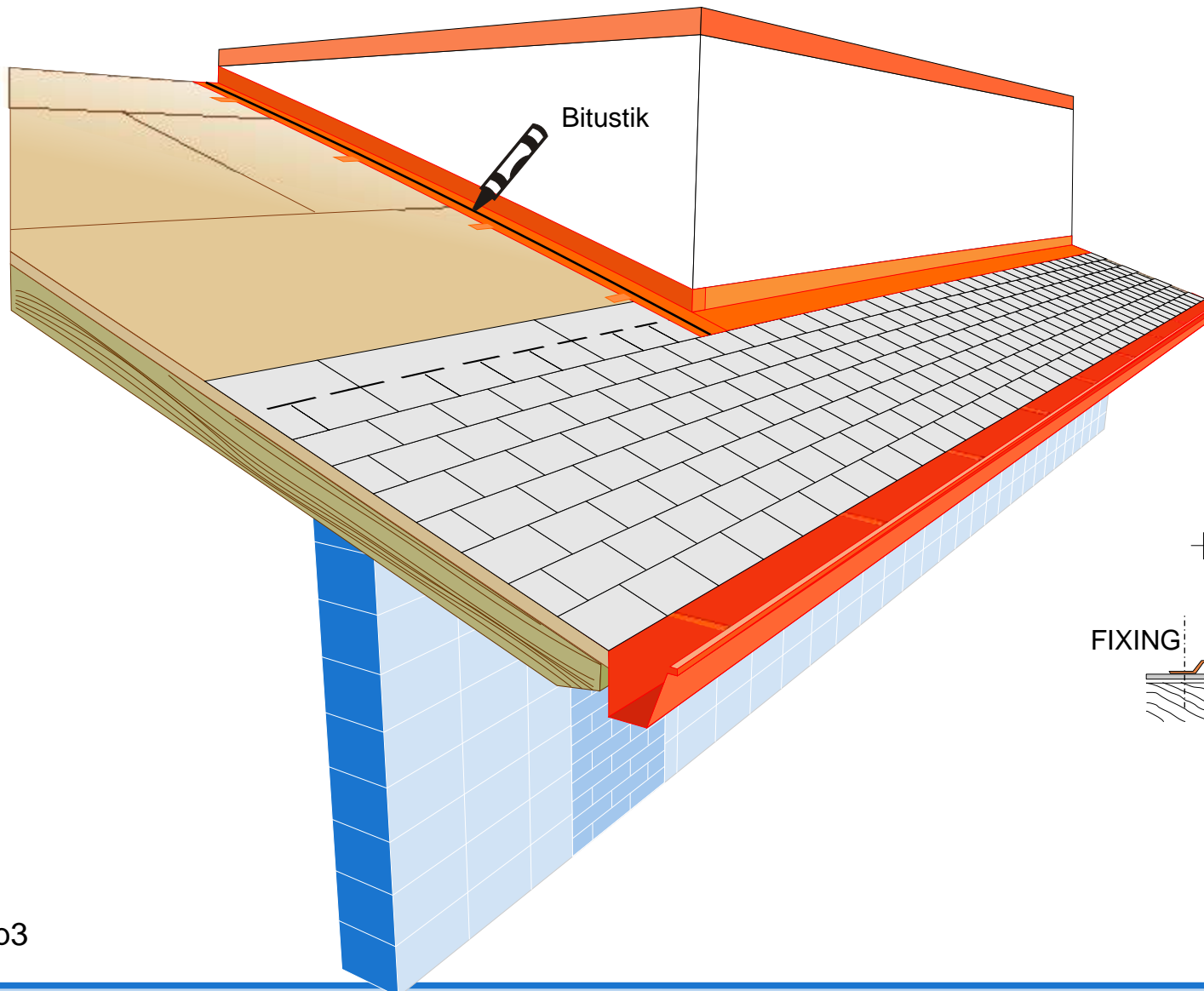
Structural movement may happen in these joints therefore two flashing profiles are requested to guarantee a waterproofing solution. Install the first profile and fix it like in the picture lower



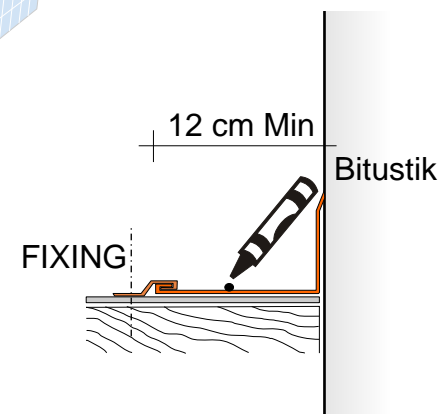
# INSTALLATION INSTRUCTION

When the pitch against a sidewall

Flashing against a sidewall

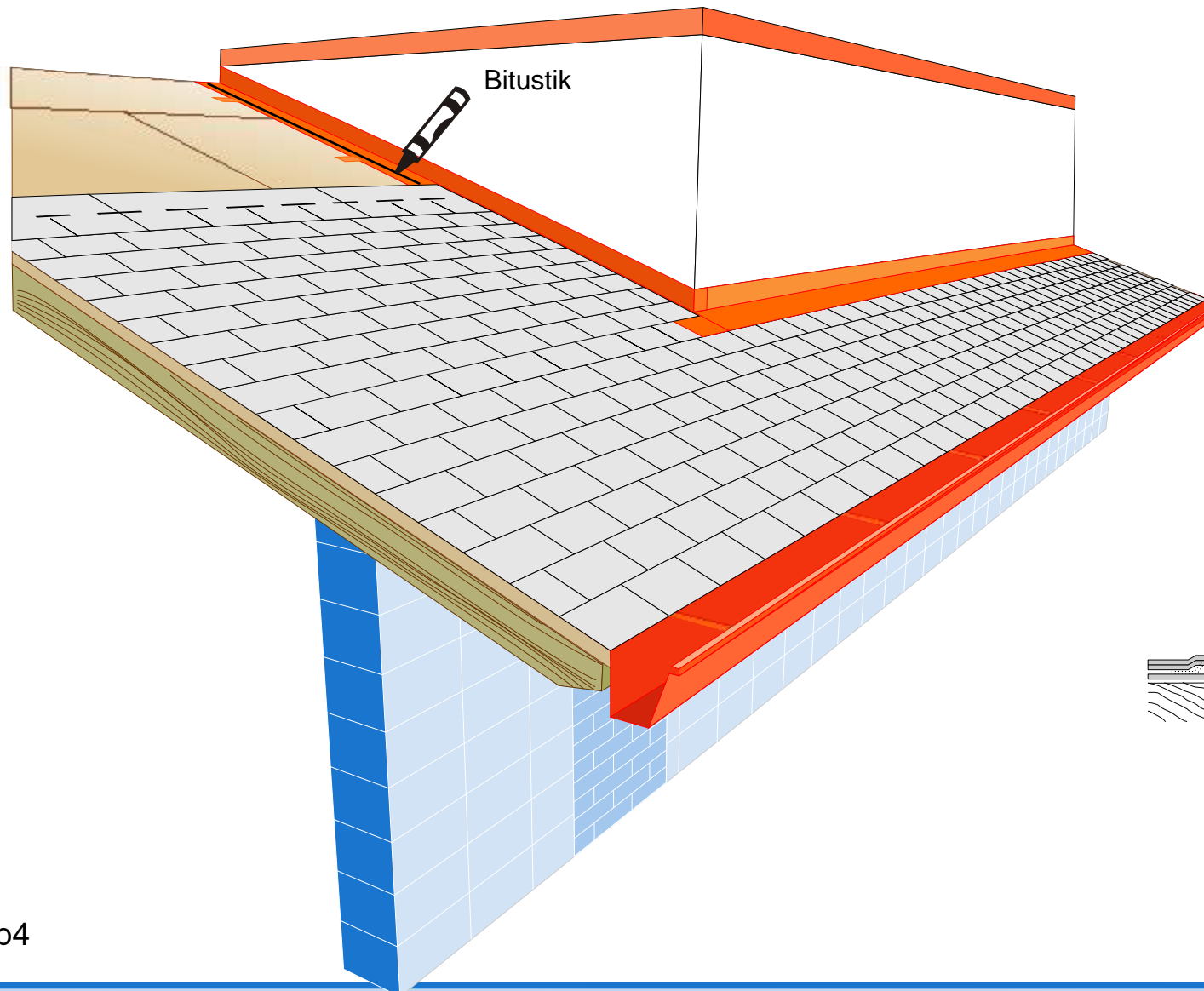


Install lateral flashing as on the picture under here. Pay attention on the corner, cut your flashing, bent it, use silicone to watherprof the joint and joint the flashings with rivets.

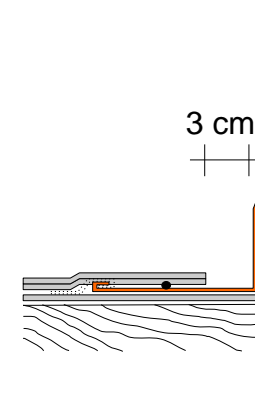


## INSTALLATION INSTRUCTION

When the pitch against a sidewall  
Flashing against a sidewall



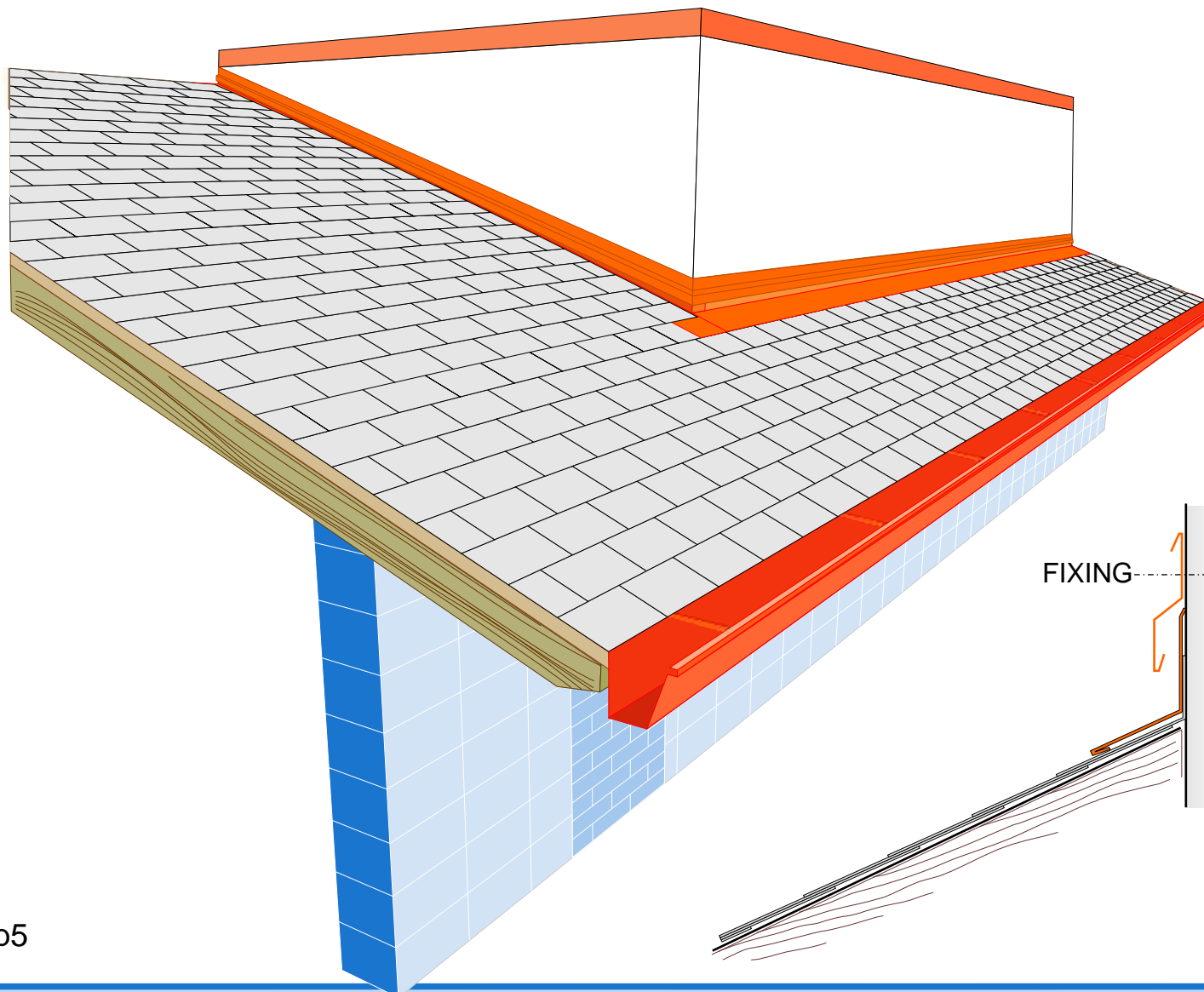
Continue to install shingle and to leave a 3 cm canal from wall. On flashing profile don't use nail.



## INSTALLATION INSTRUCTION

When the pitch against a sidewall

Flashing against a sidewall



Install the second flashing around the wall and fix it with stainless screws or with screws anchor. Pay attention on the corner, cut the flashing, bent it, use silicone to waterproof the joint and close the flashing with rivets.

