

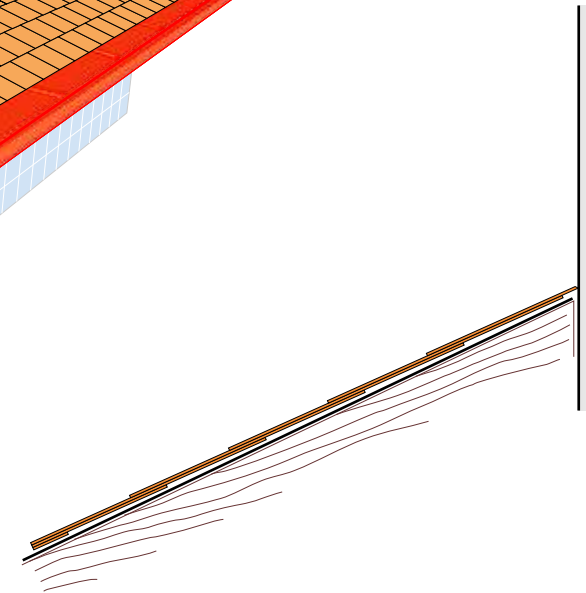
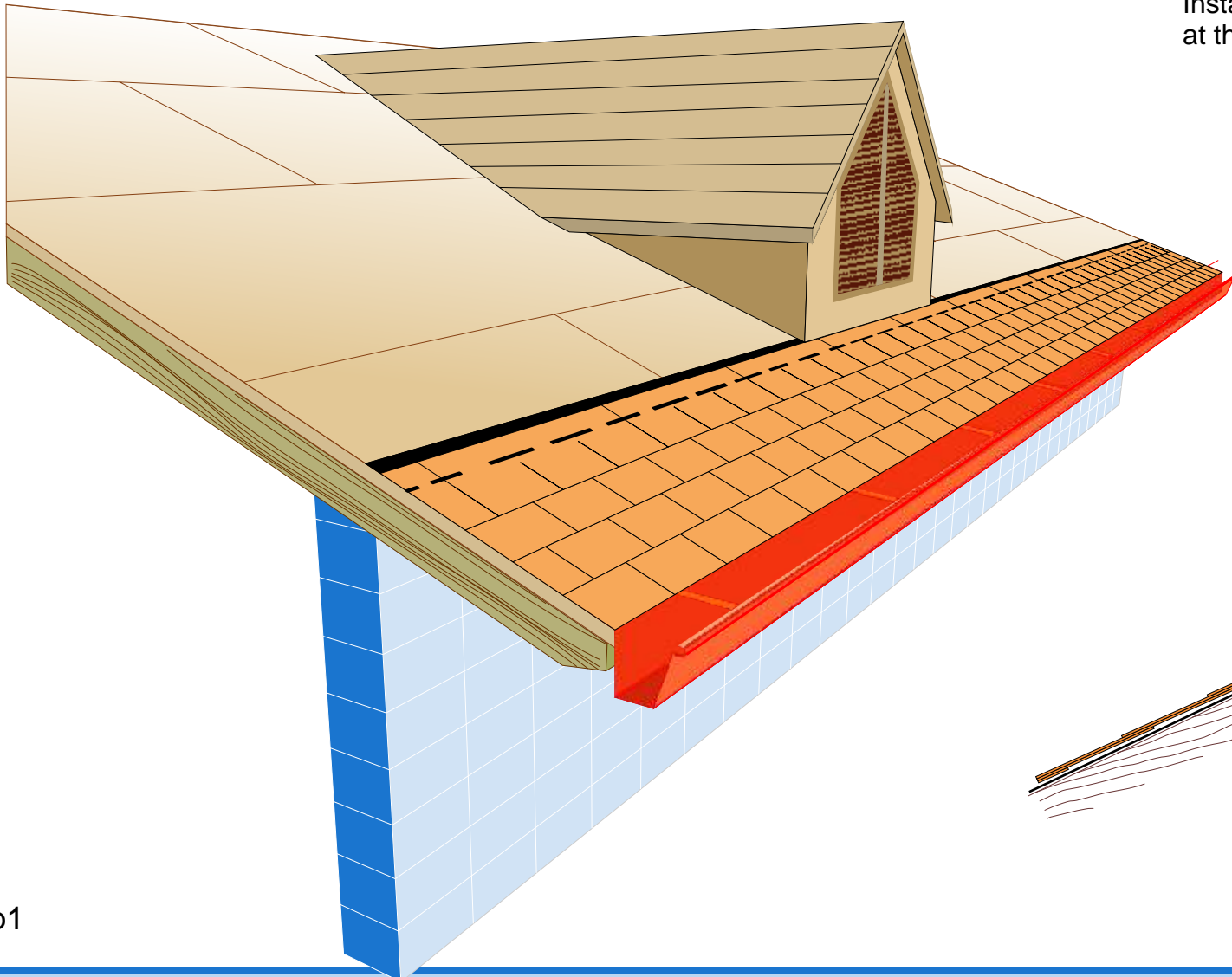
INSTALLATION INSTRUCTION

Dormer

Flashing around the dormer



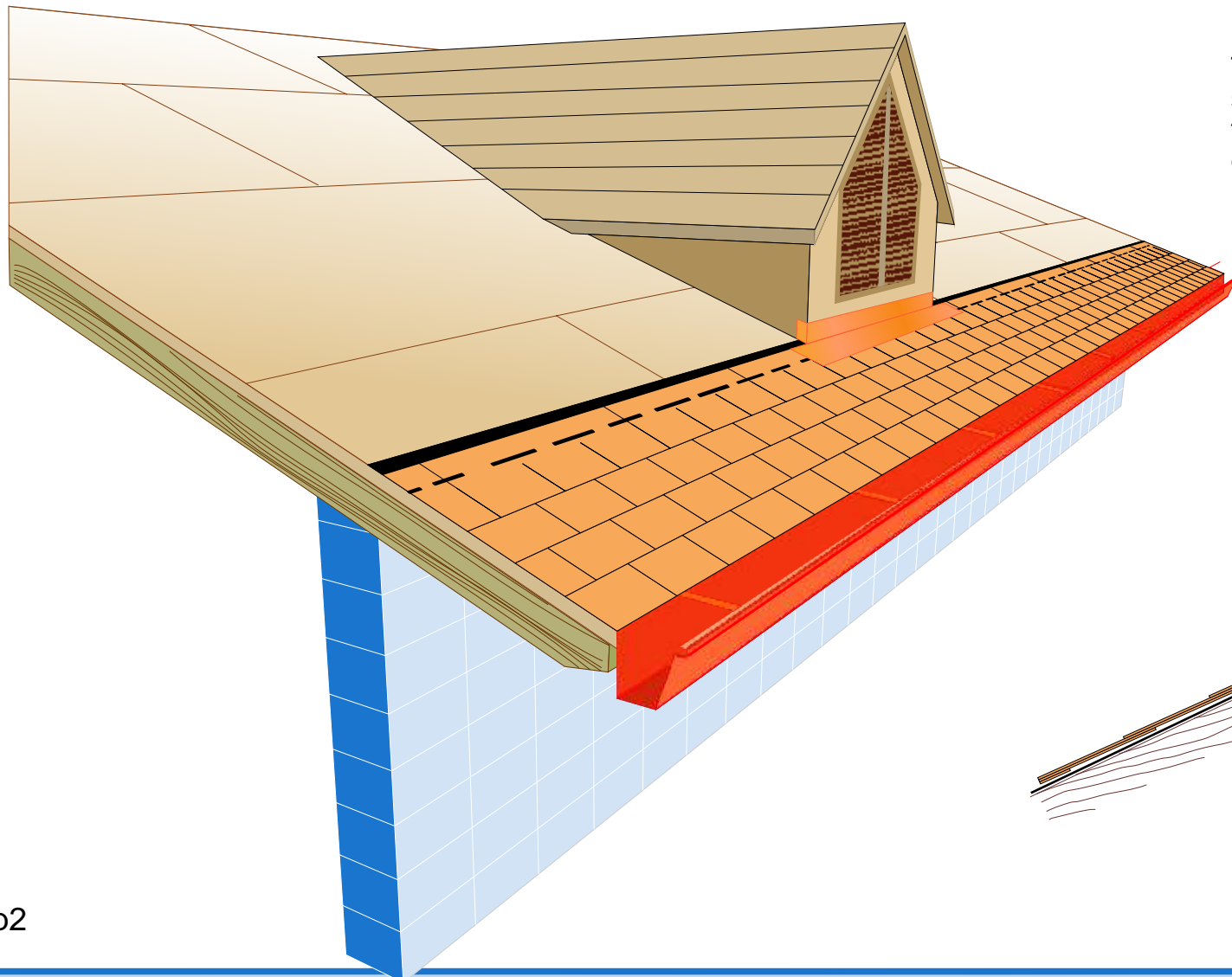
Install the shingles and cut them at the bottom side of the dormer.



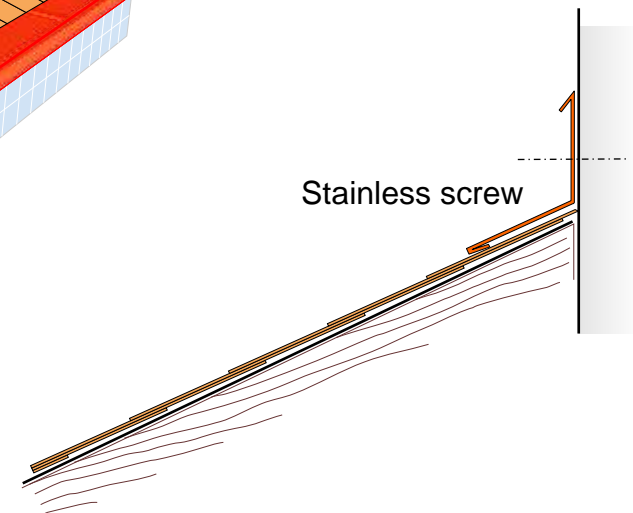
INSTALLATION INSTRUCTION

Dormer

Flashing around the dormer



Structural movement may happen in these joints.
To guarantee a waterproofing solution: when you install the first profile, fix it only on the dormer.



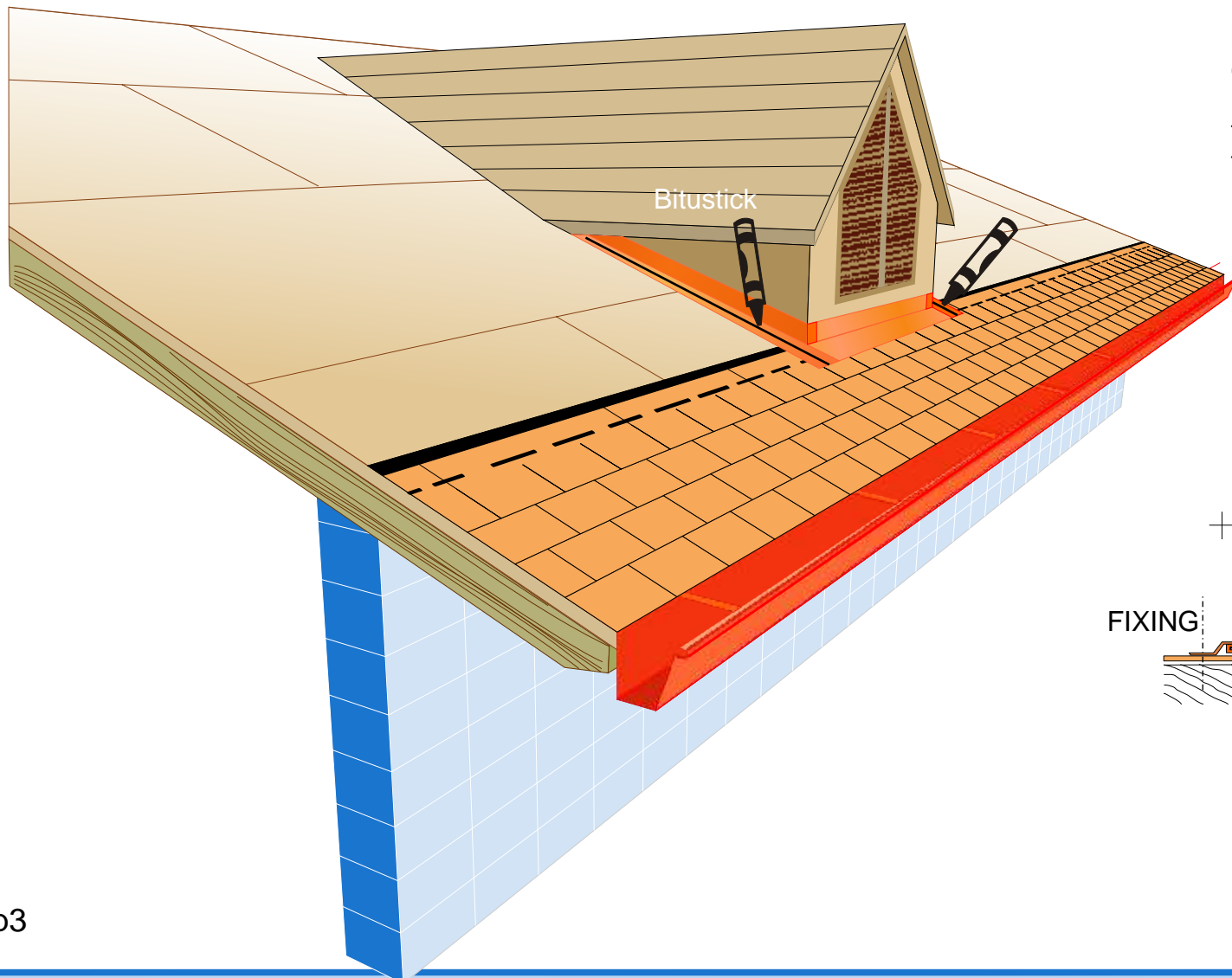
Step2

Page 2

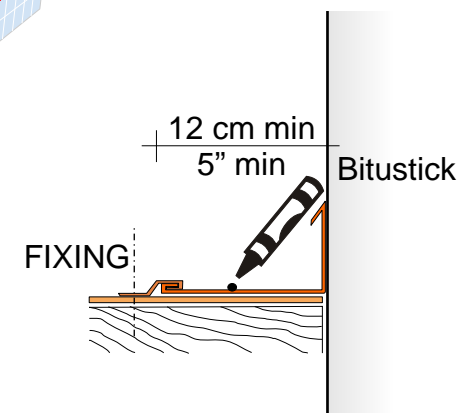
INSTALLATION INSTRUCTION

Dormer

Flashing around the dormer



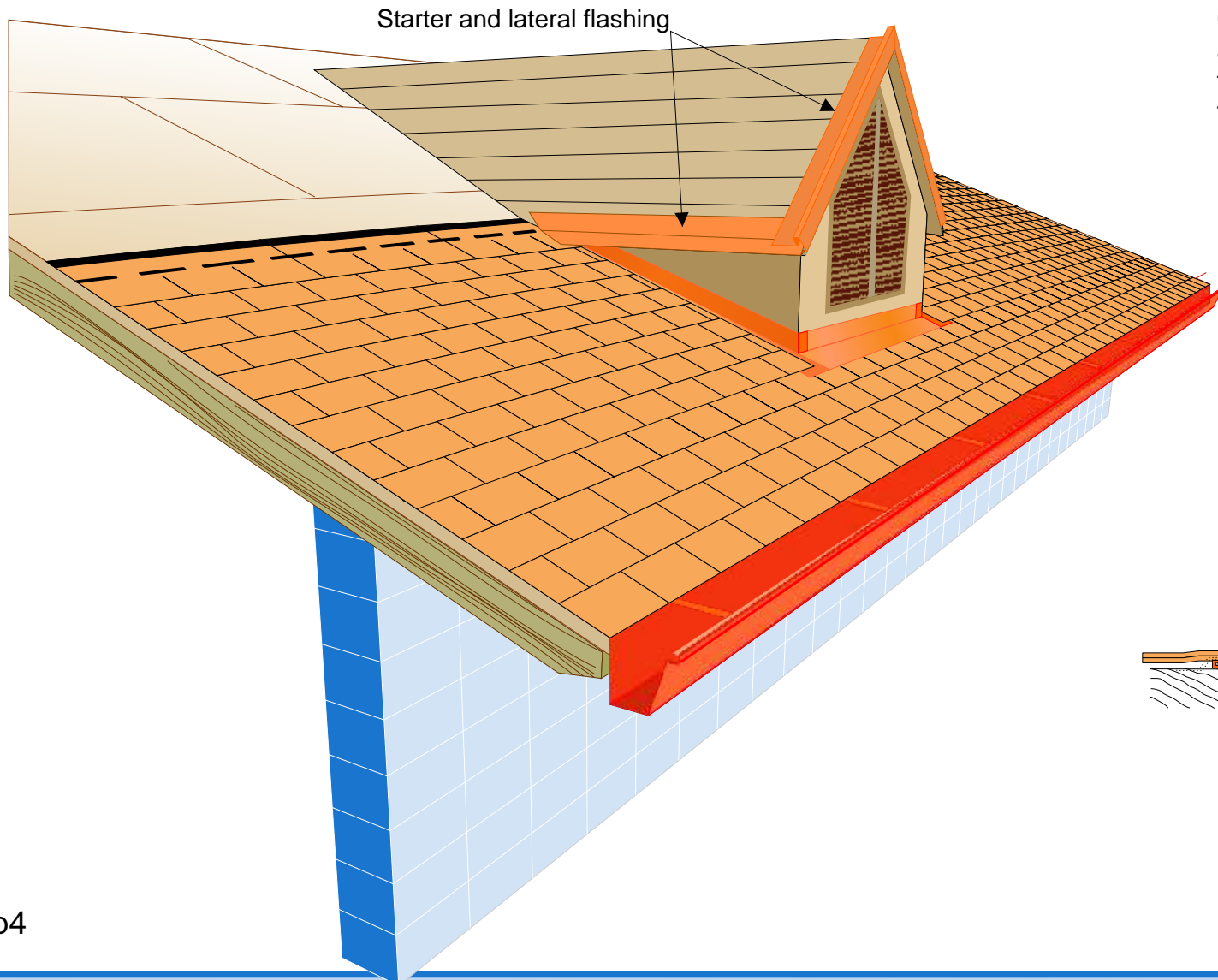
Install the lateral flashing as below. Pay attention on the corner, cut the flashings, bend it, use silicone to waterproof the joint and close the flashings with rivets.



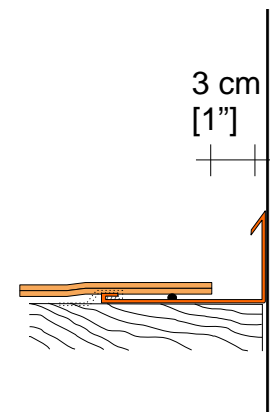
INSTALLATION INSTRUCTION

Dormer

Flashing around the dormer



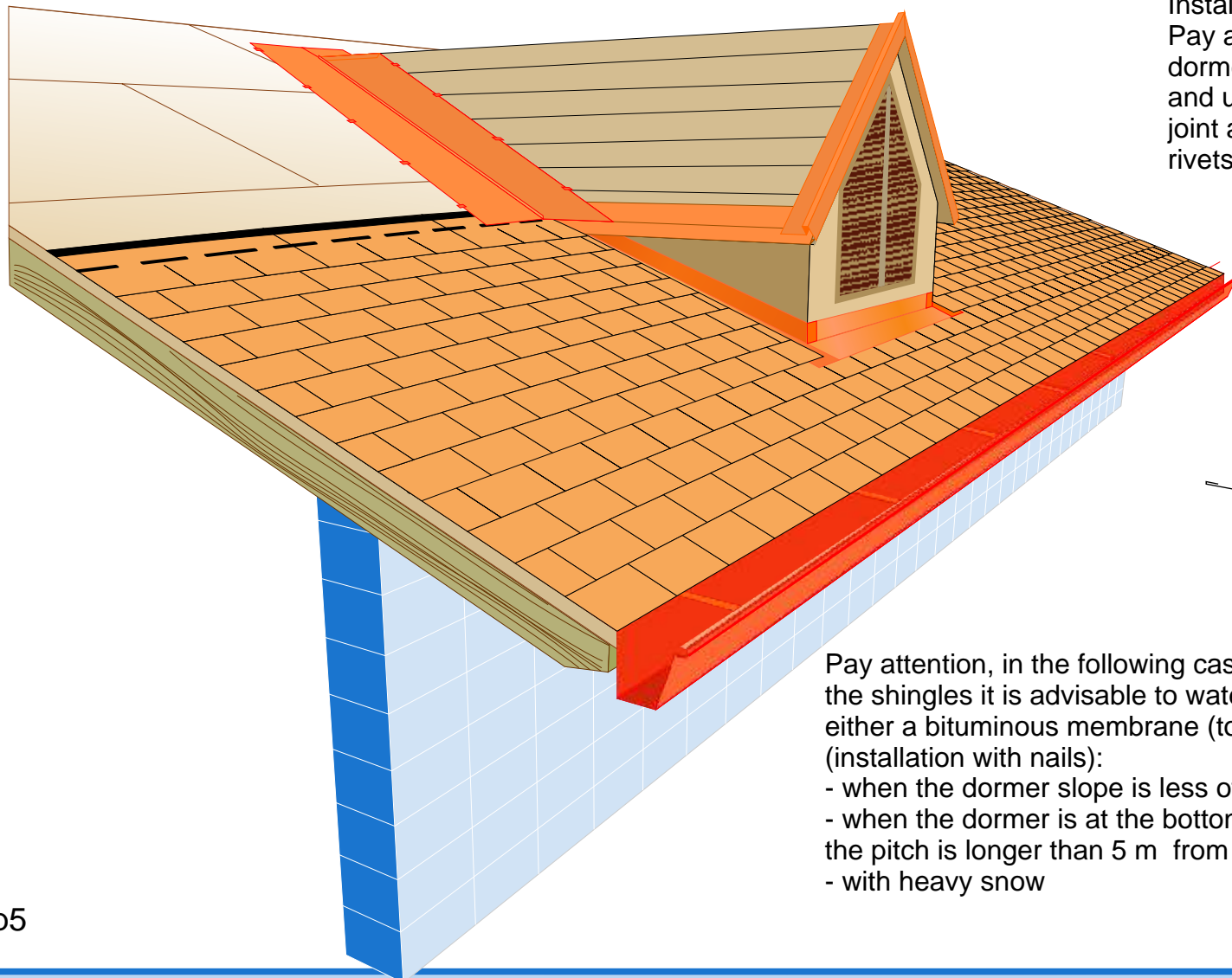
Continue to install the shingles and leave 3 cm [1"] free from the wall. Don't use nails on the flashing profile.



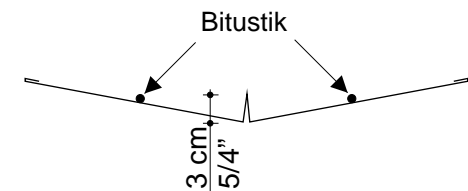
INSTALLATION INSTRUCTION

Dormer

Flashing around the dormer



Install the valley flashing as below. Pay attention on the top side of the dormer, cut the flashing, bend it and use silicone to waterproof the joint and close the flashings with rivets.



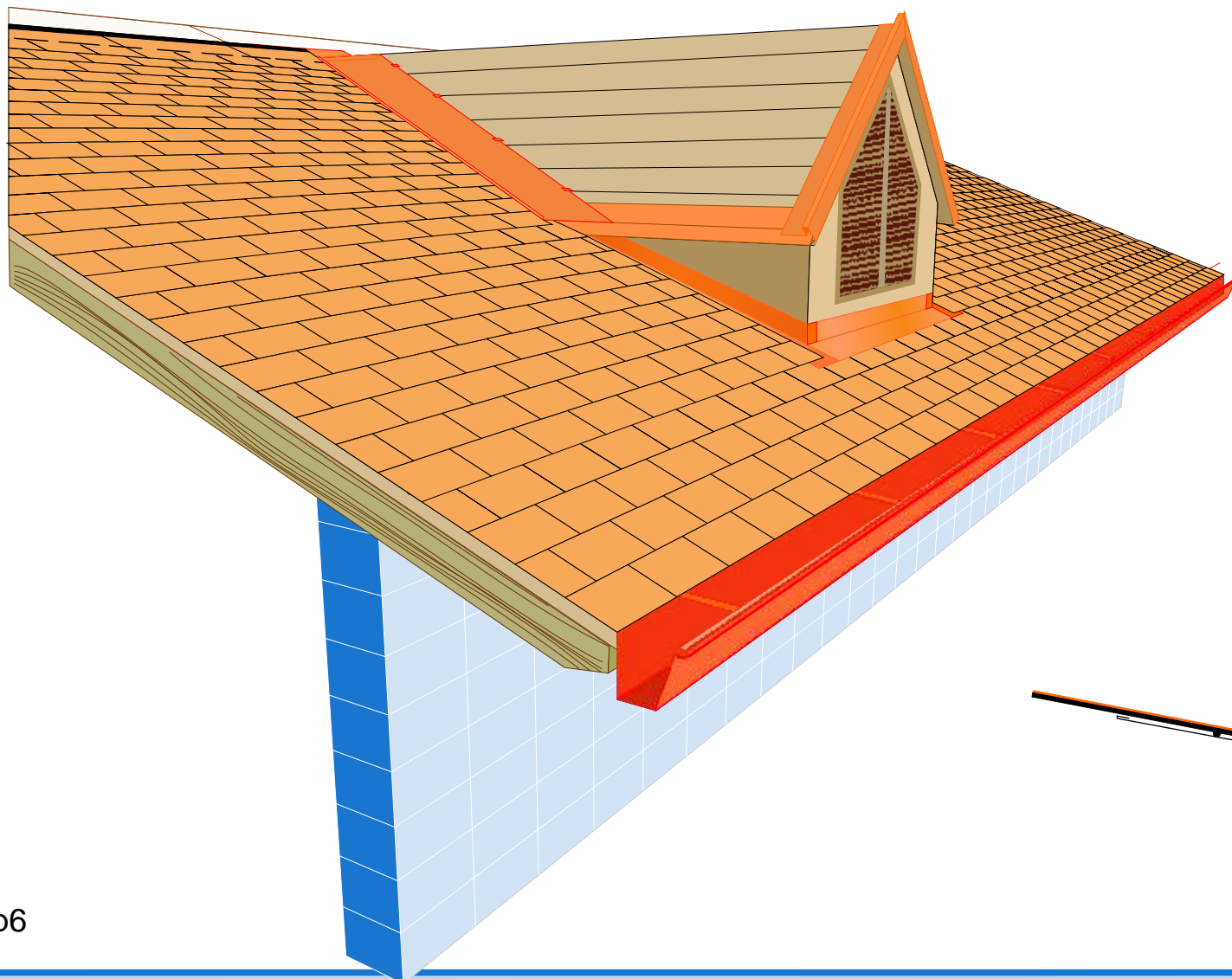
Pay attention, in the following cases, before the installation of the shingles it is advisable to waterproof the dormer using either a bituminous membrane (torchon installation) or icebar (installation with nails):

- when the dormer slope is less of 20°
- when the dormer is at the bottom side of the roof and when the pitch is longer than 5 m from the dormer's ridge.
- with heavy snow

INSTALLATION INSTRUCTION

Dormer

Flashing around the dormer



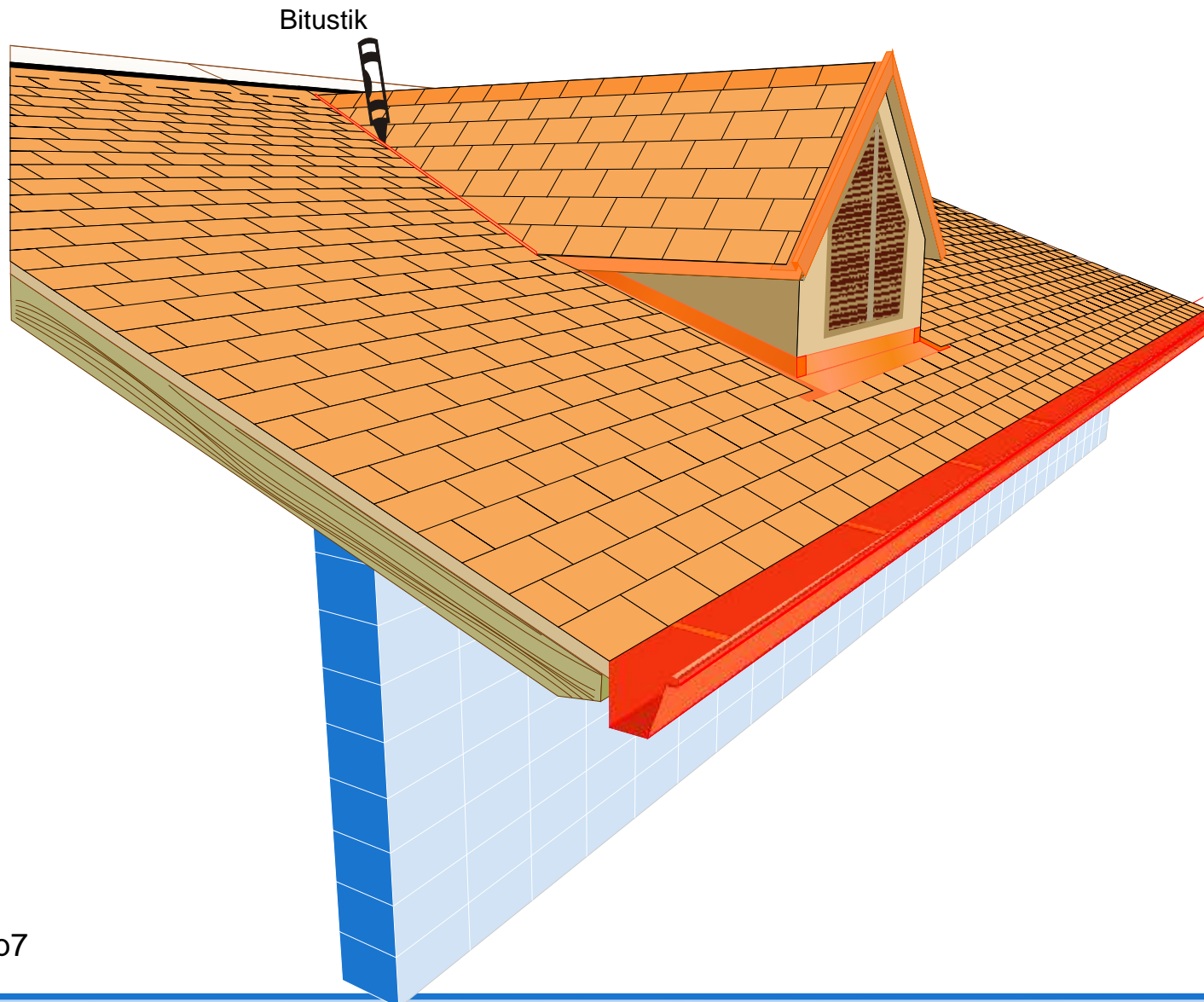
Install the bituminous shingles on the pitch up to the center of the valley. Do not nail shingles on the valley flashing but use a line of bitustick on every shingles' raw to glue shingles together and to glue them on the valley flashing.



INSTALLATION INSTRUCTION

Dormer

Flashing around the dormer



Install the bituminous shingles on the dormer up to the center of the valley. Do not nail shingles on the valley flashing but use a line of bitustick on each shingle row to glue shingles together and to glue them on the valley flashing.

Use a line of bitustick along the valley axis to waterproof the system. Complete the pitch of the roof.